



Linea Pelle

**ITALIAN LEATHER
COLLECTION**



UPHOLSTERY
Sofas made for living



UPHOLSTERY

Sofas made for living

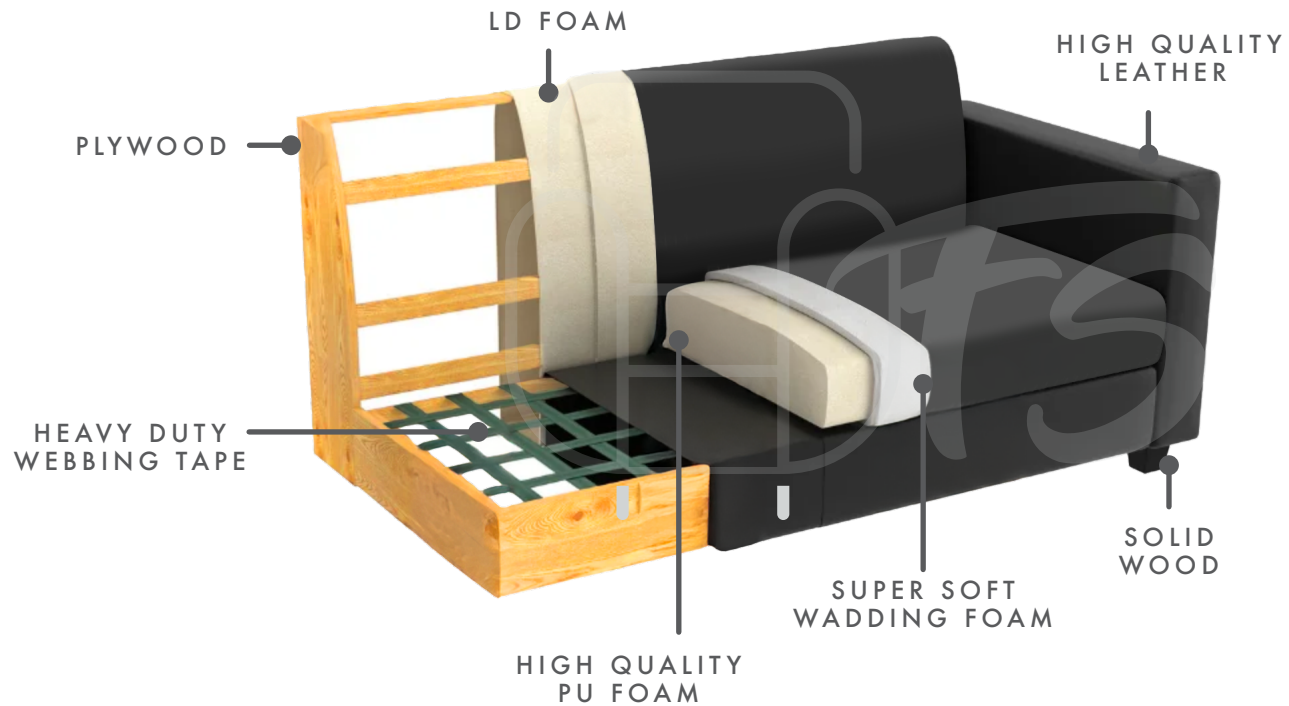
The artisanal technique employed in our high quality Italian leather products is rooted in the skill, creativity, and extensive experience of our craftsmen. The Linea Pelle Italian leather sofa is meticulously handcrafted by experienced craftsmen, utilizing materials that are exclusively sourced from the country. Every aspect—cutting, sewing, upholstery, structure, and all components—is processed within our own facilities.

Our production process is at the forefront of innovation, with a rigorous focus on detail at every stage. We are dedicated to developing groundbreaking projects, adept at interpreting emerging living trends, and committed to maintaining the highest quality standards for our materials. This commitment differentiates us in the market.

Today, The Linea Pelle Studio embodies a legacy forged through the integration of expertise and strong values. Our goal is to provide products that reflect the finest qualities of Italian Leather while addressing contemporary environmental considerations.

We appreciate your interest in our catalogue, which showcases just a fraction of our extensive collections.





Our furniture is designed for durability, each sofa and chair features a solid wood frame that is kiln-dried to prevent warping and is meticulously glued, screwed, and dowelled.

This robust foundation allows us to incorporate serpentine springs, which are securely joined to evenly distribute weight, enhancing both durability and comfort.

This commitment to quality, distinguishes a sofa you will truly love from one that merely meets basic requirements.



Loretta
ITALIAN LEATHER



3 Seater Length: 78"



2.5 Seater Length: 67"



2 Seater Length: 58"



Chair Length: 41"



Depth: 37" Height: 39"



Emily
ITALIAN LEATHER



3 Seater Length: 80"



2.5 Seater Length: 72"



2 Seater Length: 64"



Chair Length: 40"



Depth: 37" Height: 37"



Tina
ITALIAN LEATHER



3 Seater Length: 80"



2.5 Seater Length: 72"



2 Seater Length: 64"



Chair Length: 40"



Depth: 37" Height: 37"



Vancouver

ITALIAN LEATHER



3 Seater Length: 80"



2.5 Seater Length: 72"



2 Seater Length: 63"



Chair Length: 43"



Depth: 37" Height: 37"



Miami
ITALIAN LEATHER



3 Seater Length: 80"



2.5 Seater Length: 72"



2 Seater Length: 63"



Chair Length: 43"



Depth: 37" Height: 63"



Alicante

ITALIAN LEATHER



3 Seater Length: 80"



2.5 Seater Length: 72"



2 Seater Length: 63"



Chair Length: 43"



Depth: 39" Height: 37"

image coming soon

Madison
ITALIAN LEATHER



3 Seater Length: 80"



2.5 Seater Length: 72"



2 Seater Length: 65"



Chair Length: 42"



Depth: 39" Height: 37"

image coming soon

Bolero
ITALIAN LEATHER



3 Seater Length: 80"



2.5 Seater Length: 72"



2 Seater Length: 65"



Chair Length: 41"



Depth: 38" Height: 39"



London

ITALIAN LEATHER



3 Seater Length: 80"



2.5 Seater Length: 75"



2 Seater Length: 66"



Chair Length: 44"



Depth: 41" Height: 35"



Liz
ITALIAN LEATHER



3 Seater Length: 80"



2.5 Seater Length: 72"



2 Seater Length: 63"



Chair Length: 43"



Depth: 37" Height: 37"

Linea Pelle

**ITALIAN LEATHER
COLLECTION**



hfsofas@gmail.com
07890 566927

hamzahhfs1@gmail.com
07340 861811

info@hfsgroup.co.uk
01254 54244

www.hfsgroup.co.uk

   HFSUpholstery

Bruce St Business Park,
Bruce St, Unit 3,
Blackburn, BB1 3EE

